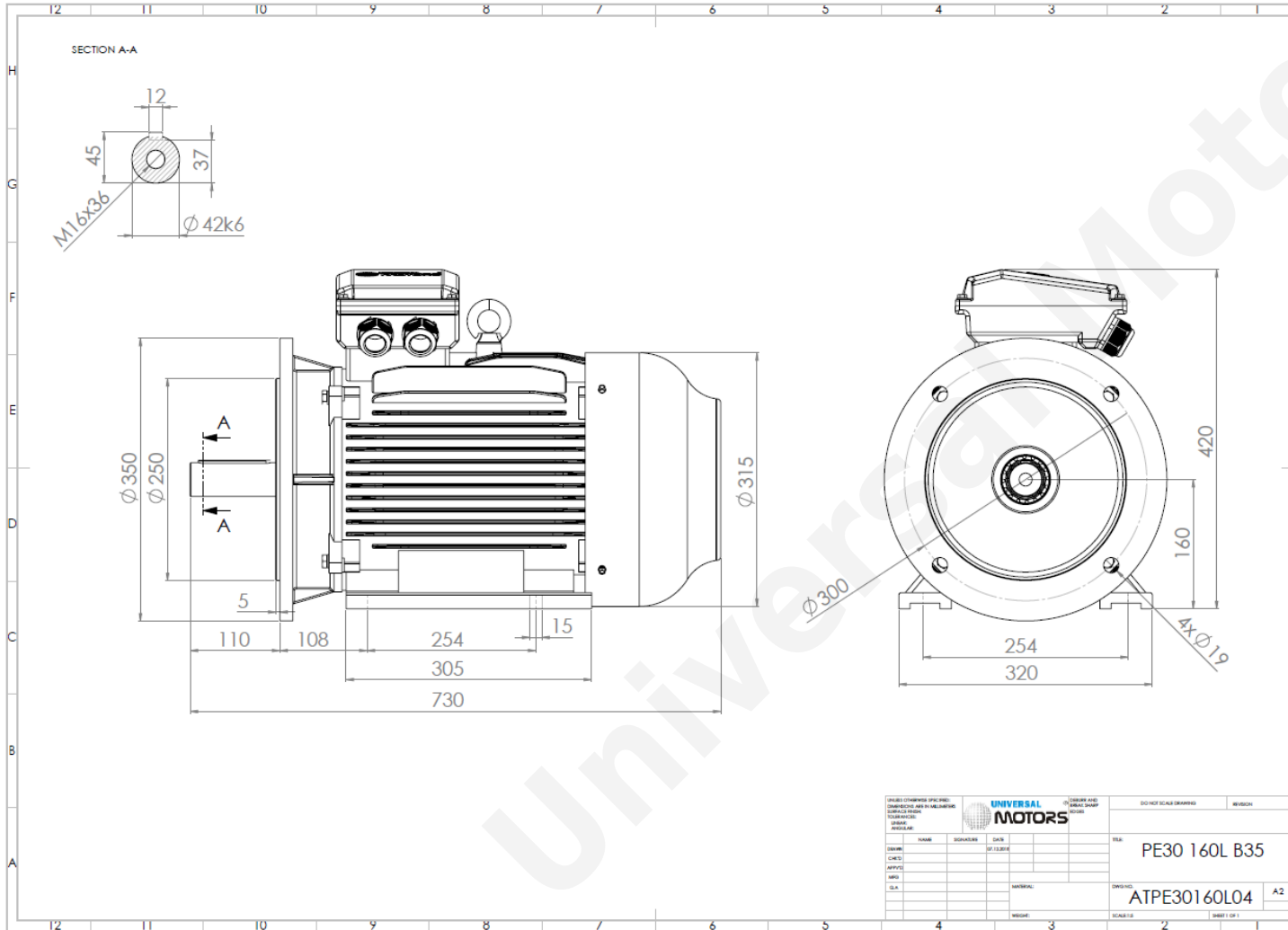




# TECHNICAL DATA

Three Phase Electric Motors - Cast Iron Frame  
 PE30 160 L 4 IE3  
 15 kW / 20 Cv  
 1470 RPM



|                             |                         |
|-----------------------------|-------------------------|
| Motor type:                 | <b>PE30 160 L 4 IE3</b> |
| Output:                     | <b>15 kW / 20 Cv</b>    |
| Speed (min <sup>-1</sup> ): | <b>1470 RPM</b>         |
| Frequency:                  | <b>50 Hz</b>            |
| Voltage:                    | <b>400 V</b>            |
| Current:                    | <b>27.3 A</b>           |
| Power factor (Cos Ø):       | <b>0.86</b>             |
| Poles:                      | <b>4</b>                |
| Insulation class:           | <b>F</b>                |
| Temperature rise Class:     | <b>B</b>                |
| Efficiency 50%:             | <b>91.5 %</b>           |
| Efficiency 75%:             | <b>92.5 %</b>           |
| Efficiency 100%:            | <b>92.2 %</b>           |
| Torque:                     | <b>97 N.m</b>           |
| Tstarting/Tnominal:         | <b>2.2</b>              |
| Istarting/Inominal:         | <b>7.8</b>              |
| Tmaximum/Tnominal:          | <b>2.3</b>              |
| Noise:                      | <b>62 Db(A)</b>         |
| Weight:                     | <b>160 Kg</b>           |
| Bearing DE:                 | <b>6309 C3</b>          |
| Bearing NDE:                | <b>6309 C3</b>          |

|                  |      |                      |              |
|------------------|------|----------------------|--------------|
| UNIVERSAL MOTORS |      | DO NOT SCALE DRAWING | REVISION     |
| DESIGNED BY      | DATE | REV.                 |              |
| CHECKED BY       |      |                      |              |
| APPROVED BY      |      |                      |              |
| DATE             |      |                      |              |
| SCALE            |      |                      |              |
| UNIVERSAL MOTORS |      | PE30 160L B35        |              |
|                  |      | ATPE30160L04         | A2           |
|                  |      | SCALE 1:1            | SHEET 1 OF 1 |

Regime - S1

Altitude - 1000m

Environment Temperature - 40°C

## CONTACTS:

UNIVERSAL MOTORS Tel: +351 252 299 080  
 Rua de São Brás,745 Fax: +351 252 299 089  
 4480-782 VILA DO CONDE Mail: [geral@universalmotors.pt](mailto:geral@universalmotors.pt)

\* References applied only in the UK